



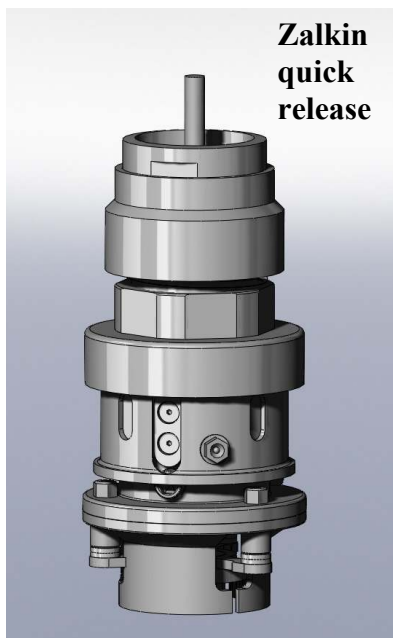
JD Machinery Sales and Service Inc

Your one stop source for capper chucks

We supply capper chucks of all styles and types including gripper chucks, solid chucks and rubber lined jaws for all major capper manufacturers. This includes Alcoa, Arol, Federal, Filler Specialties, Fogg, US Bottlers and Zalkin.

When you choose to work with JD Machinery Sales and Service for your cap chuck needs you can expect:

- Complete documentation
- 300 series stainless steel on all materials and Kolsterized for 70 Rockwell surface hardness
- Full interchangeability with existing parts
- Highly competitive pricing
- Prompt turn around with firm delivery dates
- Knowledgeable support staff



Kolsterising by Body-Cote is now a standard feature on all cap chucks offered by JD Machinery Sales and Service



JD Machinery Sales and Service Inc

Your one stop source for capper chucks

Alcoa

Arol

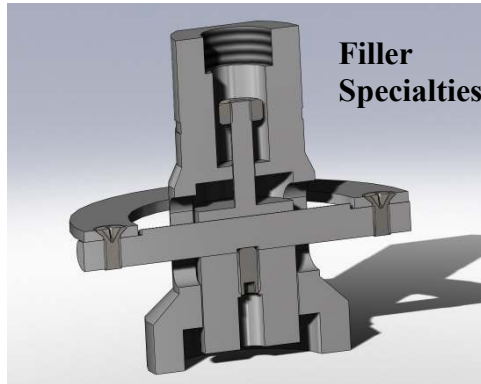
Federal

Filler
Specialties

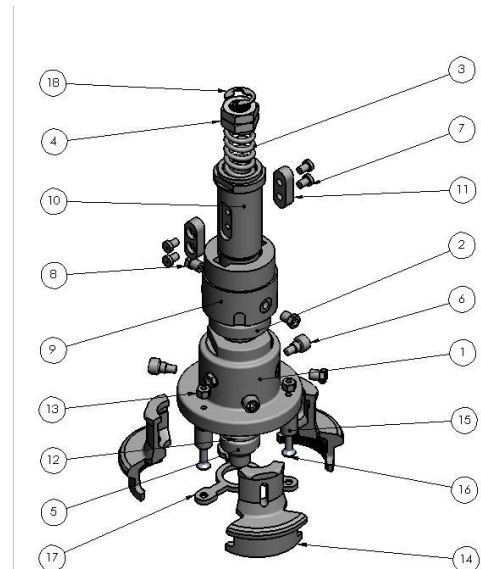
Fogg

US Bottlers

Zalkin



Complete
documentation
with drawing
and part
numbers for
every order
provided.
Spares
normally in
stock with
weekend ship-
ment available



WITHOUT THE WRITTEN PERMISSION OF JEN SALES, INC IS PROHIBITED.

ITEM	DESCRIPTION	PART NUMBER	QTY.
1	JAW HOUSING	CPFZ-1005	1
2	FOWLER/ZALKIN STOP COLLAR	CPFZ-1006	1
3	CAPPER SPRING	CPFZ-1020	1
4	SPRING ADJUSTMENT JAW NUT	CPFZ-1025	2
5	INNER PLUNGER SHAFT (OAL 5.400)	CPFZ-1030-A	1
6	JAW RETENTION SCREW	CPFZ-1080	3
7	DRIVE KEY SCREW	CPFZ-1081	4
8	ZERK SCREW	CPFZ-1083	5
9	FOWLER-ZALKIN OUTER DRIVE	CPFZ-1090	1
10	INNER DRIVE	CPFZ-1095	1
11	INNER DRIVE KEY	CPFZ-1096	2
12	INNER PLUNGER HOUSING	CPFZ-1010	1
13	CAP STOP PLATE SCREW NUT	CPFZ-1082-H	3
14	43mm JAW	CPFZ-43J-135	3
15	CAP PLATE SPACER	CPFZ-1075	3
16	CAP PLATE SPACER SCREW	CPFZ-1082-125	3
17	CAP STOP PLATE	CPFZ-1071	1
18	7/16" E-STYLE CLIP	McMaster #98408A136	1